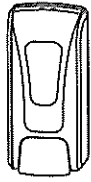
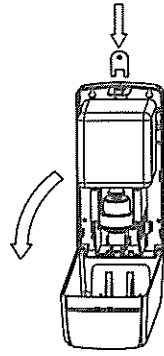


MANUAL FOAM SOAP DISPENSER INSTALLATION

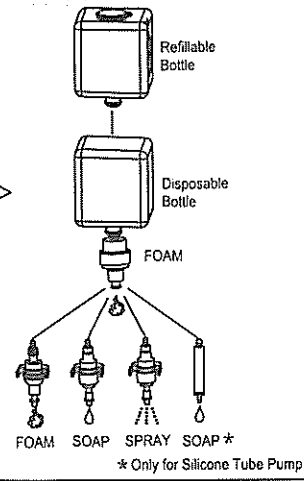


• Size: 13x11.5x27cm

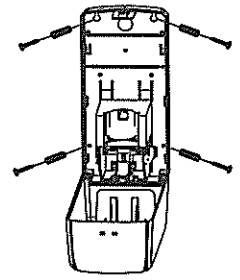
(A)



(B)

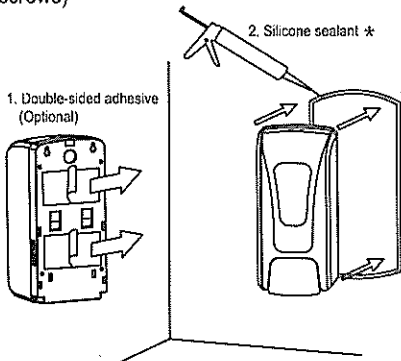


Installation with Screws



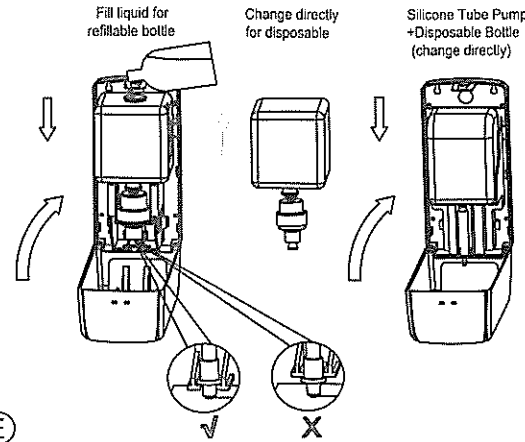
(C)

Installation with Adhesive Backing (no screws)

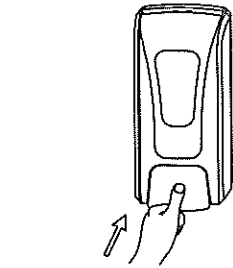


(D)

* The Standard Packing is not including Dual-Sided adhesive and silicone sealant.



(E)



(F)